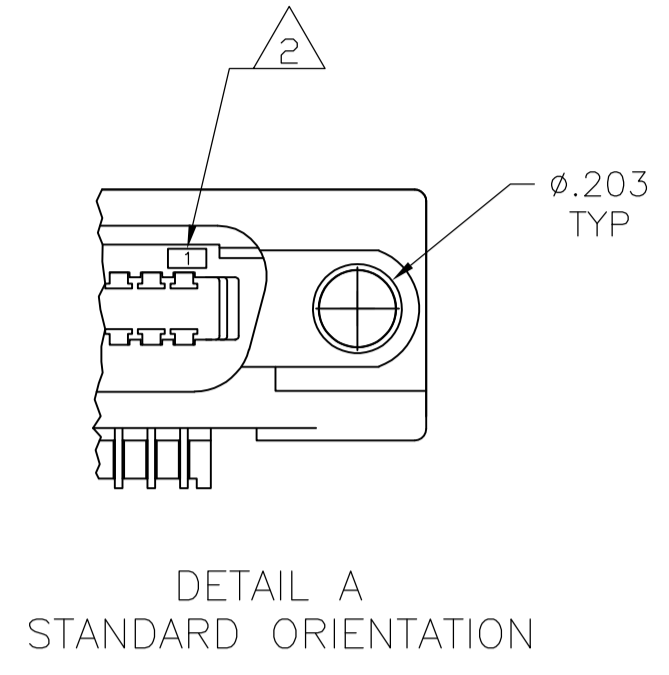
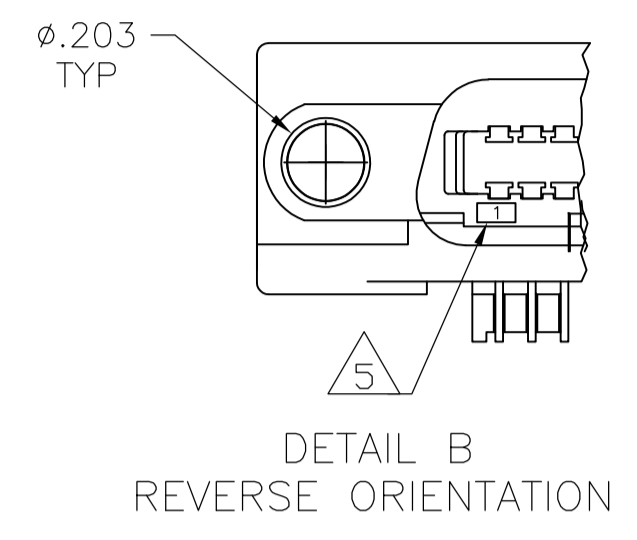
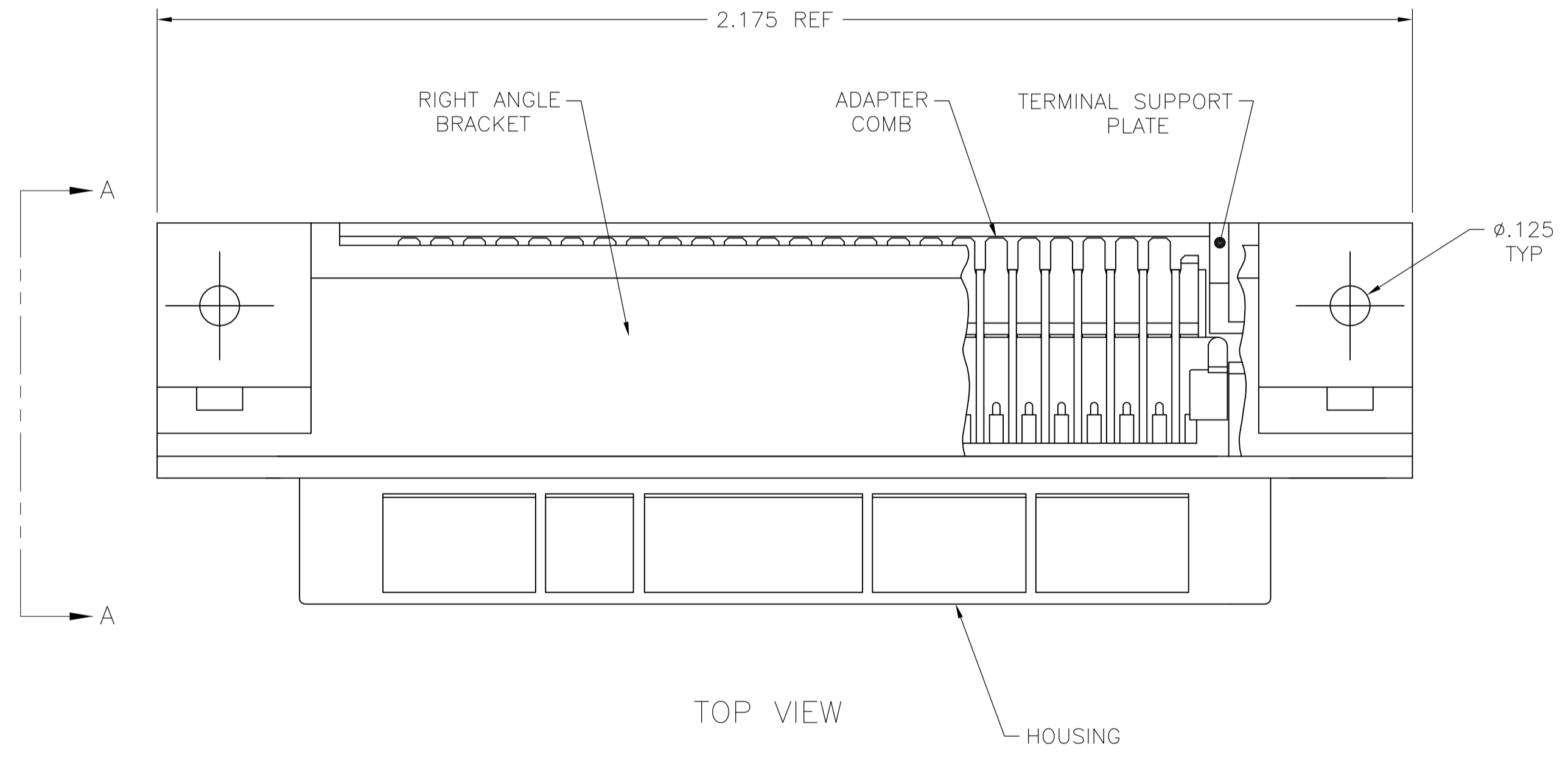


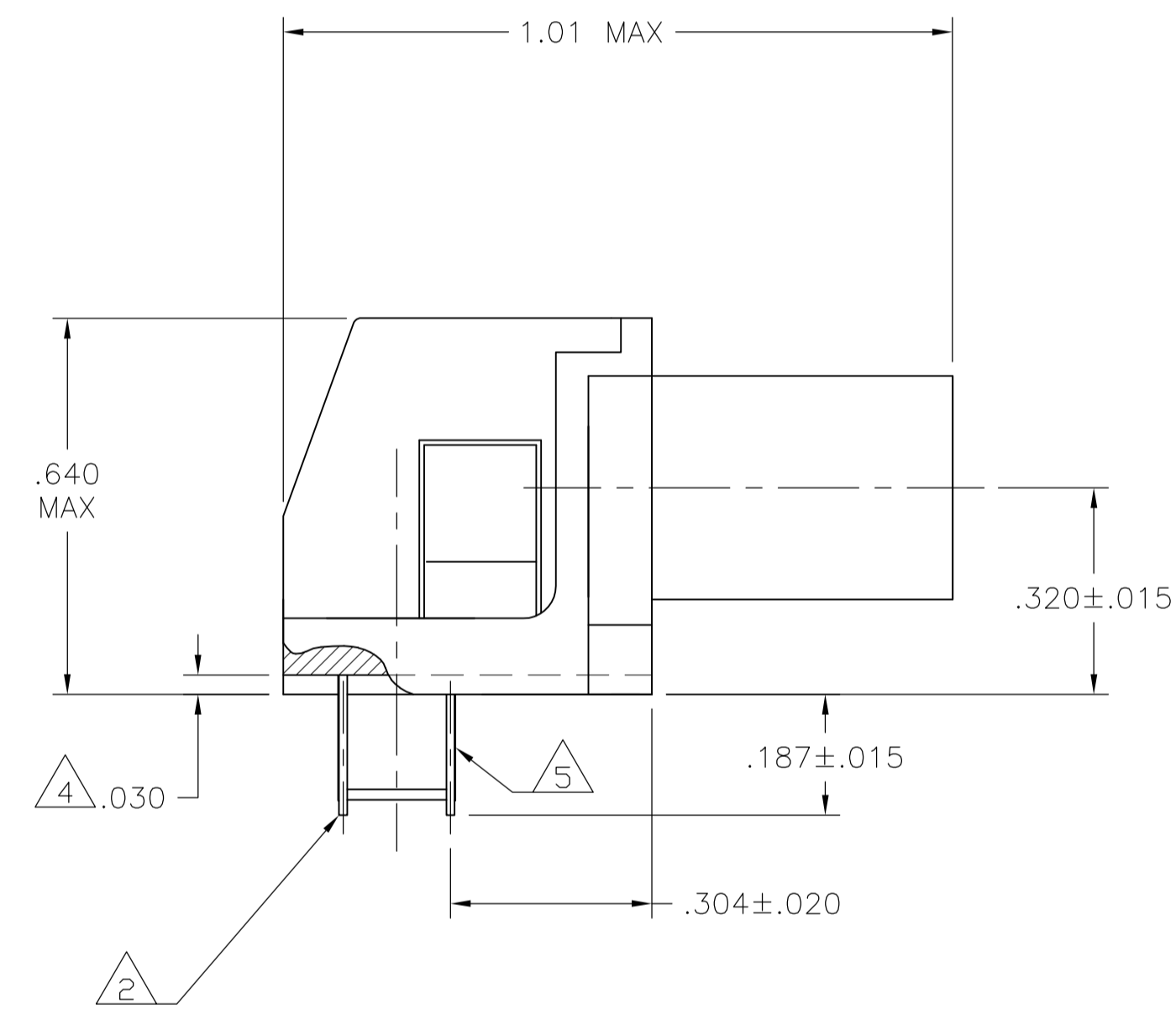
SUGGESTED PRINTED CIRCUIT BOARD MOUNTING DIMENSIONS



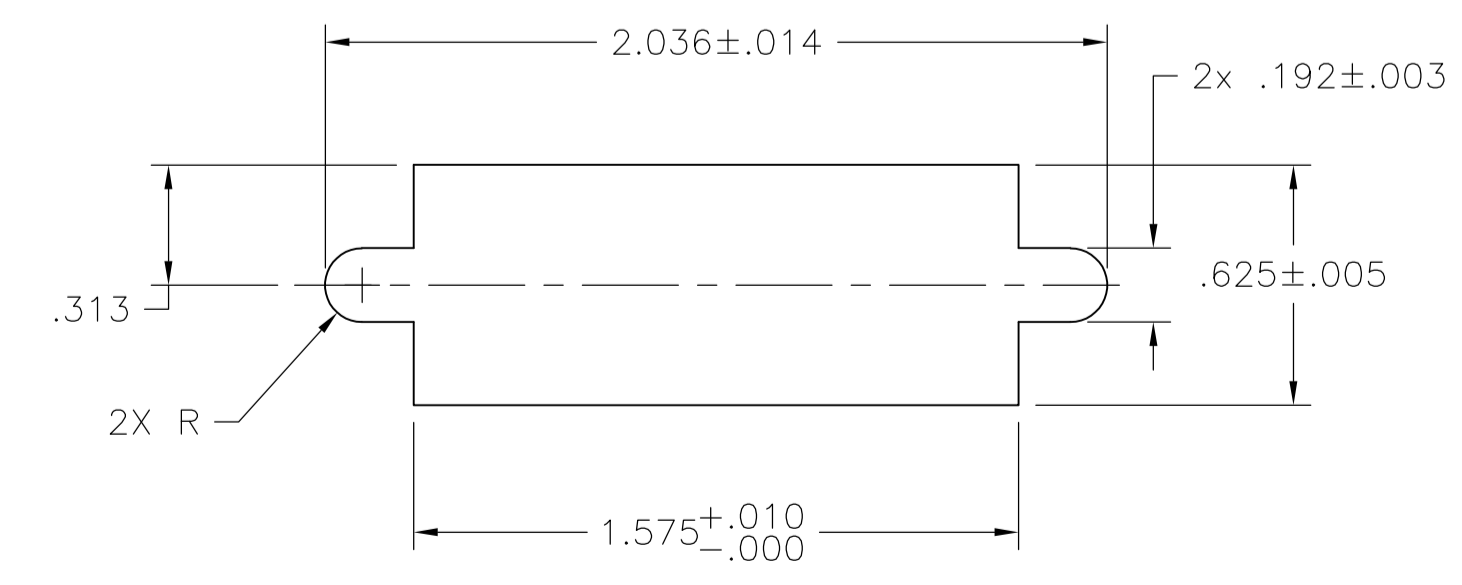
- 1 MATERIAL:  
HOUSING, RIGHT ANGLE BRACKET, ADAPTER COMB & SUPPORT PLATE - THERMOPLASTIC, BLACK.  
TERMINALS - HIGH STRENGTH COPPER ALLOY PLATED WITH EITHER .000030 MIN GOLD PLATE OR GOLD FLASH OVER PALLADIUM NICKEL PLATE, .000030 MIN TOTAL ON MATING SURFACE. .000120 MIN TIN-LEAD PLATE ON TAILS. ALL OVER .000050 MIN NICKEL UNDERPLATE OVER ENTIRE TERMINAL.
- 2 TERMINAL 1 IS LOCATED IN THIS ROW FOR STANDARD ORIENTAION, SEE DETAIL A.
- 3 PANEL THICKNESS RANGE: .125 MAX.
- 4 SUPPORT PLATE CLEARANCE FOR TERMINAL STRAIN RELIE AND FLUX REMOVAL.
- 5 TERMINAL 1 IS LOCATED IN THIS ROW FOR REVERSE ORIENTAION, SEE DETAIL B.



TOP VIEW



SIDE VIEW A-A



PANEL CUTOUT DIMENSIONS FOR REAR PANEL MOUNTING FOR METRIC HARDWARE

SEE DETAIL B/5	553121-2
SEE DETAIL A/2	553121-1
DESCRIPTION	PART NUMBER

THIS DRAWING IS A CONTROLLED DOCUMENT.		DIN Z. REAM 2/APR/07		Tyco Electronics Corporation Harrisburg, PA 17105-3608	
DIMENSIONS: INCHES		TOLERANCES UNLESS OTHERWISE SPECIFIED:		APVD W. MILLHIMES 2/APR/07	
0 PLC ± -		1 PLC ± -		NAME	
1 PLC ± -		2 PLC ± -		ASSEMBLY, EMI, RECEPTACLE	
2 PLC ± -		3 PLC ± .005		24 POSITION, RIGHT ANGLE	
3 PLC ± -		4 PLC ± -		APPLICATION SPEC	
4 PLC ± -		ANGLES ± -		SIZE	
MATERIAL		FINISH		CAGE CODE	
1		1		DRAWING NO	
CUSTOMER DRAWING		SCALE 2:1		SHEET 1 OF 1	
				REV D	